

NORTHERN CALIFORNIA REINED COW HORSE ASSOCIATION

AFFILIATE #2

MAY 21 - 23, 2026

MAY 21, 2026
HERD & FENCE PRACTICE

MAY 22, 2026
HERD WORK

MAY 23, 2026
COW HORSE CLASSES



**SPECIAL EVENT!
BOXING MATCH**

**\$4,800
ADDED MONEY!**

**ENTRIES CLOSE
SUNDAY, MAY 17, 2026
11:59 P.M.
ENTER WITH QR CODE**



**ROLLING HILLS EQUESTRIAN CENTER
CORNING, CA**

NCRCHA

CSM

General Information
NCRCHA MAY 21-24, 20256

This show will be split into two separate shows. Friday and Saturday will be all the herd work and cow horse classes. Sunday will be all the ranch horse classes. Only online entries are accepted.

REQUIRED HEALTH DOCUMENTS – The California Department of Food and Agriculture requires a health certificate (Certificate of Veterinary Inspection) dated within 30 days and proof of a negative equine infectious anemia test (Coggins or ELISA) dated within 12 months for out of state horses entering California. See the CDFA website for details. Show management does not require health certificates or Coggins for any horses attending the event.

Enter here: <https://www.cognitofirms.com/KellyHamblin/NCRHCAAffiliate2May21242026>

Or use the QR Code



MOVE IN – No earlier than Wednesday May 20, 2026 at 1:00PM

MOVE OUT – No later than Monday May 25, 2026 at 12:00PM

SHOW OFFICE HOURS FOR THE **COW HORSE SHOW** (WEDNESDAY-SATURDAY)– The show office will be open 1pm – 5 pm on WEDNESDAY MAY 20, 2026. The show office will open at 7 am on show days and close after the last class ends. **SHOW SECRETARY FOR COW HORSE CLASSES ONLY** – Laura Norman 559-760-2769 Laura.saddleup@gmail.com

SHOW OFFICE FOR THE **RANCH HORSE SHOW** (SUNDAY) will be in the concourse of the large arena and will be open at 6:30am Sunday May 24, 2026 and will close 1 hour after the conclusion of the last class. **SHOW SECRETARY FOR SUPER RANCH SUNDAY CLASSES** – Kelly Hamblin 530-510-0198 ranchclasses@gmail.com

IN CATTLE CLASSES ONLY: Scratching after the cattle are ordered forfeits cattle fee in NCRCHA classes; scratch after draw forfeits add back, office fee of \$30.00 and cattle fees in NCRCHA classes; scratch out of a class to add to another class at show is a \$30 change fee & adds at bottom of draw in a new block in order received.

To enter and reserve cattle please put a credit or debit card on file or send a personal check. When checking out you can choose to pay with cash, credit or debit card (no convenience fee) or personal check.

Please do not send your stall, RV and shavings orders to the show secretaries. All reservations for those items will be handled directly through this link or by using the QR code below.

<https://www.zeffy.com/en-US/ticketing/affiliate-2-stall-and-rv-reservations>

RV, STALLS, AND HORSE SHOW ENTRY DEADLINE: Midnight on May 17, 2026. Late fees will apply after close of entries.

RV RENTALS AND SET UP @ RHEC: Tara's RV 530-360-2457

HOTELS: Rolling Hills Casino 530-528-3500

Holiday Inn Express, Corning 530-824-6400

Best Western Corning 530-824-5200

Super 8 by Wyndham, Corning 530-387-5925

SHOW MANAGER: Sophie Larsson 951-641-7120

CATTLE MANAGER: Matt Fatchen 530-518-0359

PHOTOGRAPHER – Laura Adcock 530-262-8170

Hay can be purchased by calling Rolling Hills Equestrian Center (Terry Skevington) 530-366-6386.

NO OUTSIDE SHAVINGS ALLOWED.

COW HORSE JUDGE (SATURDAY) – Paul Bonello

RANCH HORSE JUDGE (SUNDAY) – Amanda Winger

TRAIL CLASS JUDGE/WT RANCH RIDING (SUNDAY) – Mandi Thompson

PATTERNS:

All Cow Horse Classes: NRCHA Pattern #11 – Lope Towards

Reining: AQHA VRH Pattern #1

Ranch Riding: AQHA Pattern #1

Walk Trot Ranch Riding: Pattern #3

Walk Trot Reining: Pattern #2

Trail Horse - TBD

Jackpot Trail – will be handed out Sunday Morning at 7:30 Riders Meeting

Walk Trot Trail Horse: TBD

Use QR Code for Stall
& RV Reservation.



THURSDAY SCHEDULE MA Y 21, 2026

HERD SETTLE 7:30AM	START
TIME @ 8:00AM	
HERD PRACTICE 2 FRESH COWS	4
MINUTES	
HERD PRACTICE \$150.00	
LARGE INDOOR AT CONCLUSION OF THE	
HERD PRACTICE	
6 MINUTE BOXING / FENCE / REIN	
PRACTICE RUNS - \$100.00	

4:00 PM - MAIN INDOOR ARENA CONCOURSE BOXING MATCH DRAW PARTY
6:00 PM - MAIN INDOOR ARENA BOXING MATCH PRE-LIMS

Enter Here



Stalls and RV Reservations HERE



FRIDAY SCHEDULE MAY 22, 2026

SMALL INDOOR HERD SETTLE 7:30AM			START	ADDED	ADD BACK	TOTAL ENTRY FEE
			TIME 8:00AM			
100	OPEN HERD WORK	NCRCHA		\$ 250.00	\$ 50.00	\$ 275.00
300	YOUTH HERD WORK	NCRCHA		\$ 50.00	\$ -	\$ 120.00
200	NON PRO HERD WORK	NCRCHA		\$ 250.00	\$ 50.00	\$ 275.00

If Time and cattle permit - We will offer a limited number of herd practices at the completion of the Herd Work on Friday. These will be re-run cattle and you will get 2 head for 4 minutes for \$100.00. Availability will be announced on Friday morning. Sign ups at the arena. First Come, First Serve.

6:00 PM - MAIN ARENA MATCH FINALS	BOXING	\$ 1,000.00	\$ 125.00	\$ 250.00
--	---------------	-------------	-----------	-----------

SATURDAY SCHEDULE MAY 23, 2026 BLUE HIGHLIGHTED CLASSES RUN CONCURRENT

LARGE INDOOR 8:00AM		ADDED	ADD BACK	TOTAL ENTRY FEE	*FEE TO ENTER BOTH	*FEE TO ENTER ALL	
151	OPEN BOXING	YEAR END AWARD CLASS		\$ 175.00			
701	YOUTH BOXING	\$ 50.00	\$ 35.00	\$ 140.00	\$ 165.00		
301	YOUTH BOXING	YEAR END AWARD CLASS		\$ 95.00			
400	BIG/LITTLE BOXING	SPECIALTY CLASS - PLEASE SEE THE DESCRIPTION AND RULES FOR THIS CLASS			\$ 40.00		
801	NON PRO BOXING	\$ 500.00	\$ 50.00	\$ 235.00	\$ 265.00	\$ 505.00	
201	NON PRO BOXING	YEAR END AWARD CLASS		\$ 175.00			
802	INTERMEDIATE BOXING	\$ 300.00	\$ 50.00	\$ 235.00	\$ 265.00		
202	INTERMEDIATE BOXING	YEAR END AWARD CLASS		\$ 175.00			
803	LTD NON PRO BOXING	\$ 200.00	\$ 50.00	\$ 235.00	\$ 265.00		
203	LTD NON PRO BOXING	YEAR END AWARD CLASS		\$ 175.00			
901	OPEN BRIDLE	\$ 250.00	\$ 50.00	\$ 245.00	\$ 275.00		
101	OPEN BRIDLE	YEAR END AWARD CLASS		\$ 185.00			
820	NON PRO BOX DRIVE	\$ 300.00	\$ 50.00	\$ 245.00	\$ 275.00		
220	NON PRO BOX DRIVE	YEAR END AWARD CLASS		\$ 185.00			
703	YOUTH COW HORSE	\$ 50.00	\$ 35.00	\$ 140.00	\$ 165.00		
303	YOUTH COW HORSE	YEAR END AWARD CLASS		\$ 95.00			
830	NON PRO BRIDLE	\$ 400.00	\$ 50.00	\$ 245.00	\$ 275.00	\$ 395.00	
230	NON PRO BRIDLE	YEAR END AWARD CLASS		\$ 185.00			
832	INT NON PRO BRIDLE	\$ 200.00	\$ 50.00	\$ 245.00	\$ 275.00		
232	INT NON PRO BRIDLE	YEAR END AWARD CLASS		\$ 185.00			
905	OPEN HACKAMORE	\$ 250.00	\$ 50.00	\$ 245.00	\$ 275.00		
105	OPEN HACKAMORE	YEAR END AWARD CLASS		\$ 185.00			
840	NON PRO HACKAMORE	\$ 150.00	\$ 50.00	\$ 245.00	\$ 275.00		
240	NON PRO HACKAMORE	YEAR END AWARD CLASS		\$ 185.00			
205	NON PRO JR HORSE	\$ 150.00	\$ 50.00	\$ 245.00			
103	OPEN JR HORSE	\$ 150.00	\$ 50.00	\$ 235.00			
837	NON PRO TWO REIN	\$ 150.00	\$ 50.00	\$ 245.00	\$ 275.00		
237	NON PRO TWO REIN	YEAR END AWARD CLASS		\$ 185.00			
108	OPEN TWO REIN	\$ 150.00	\$ 50.00	\$ 245.00	\$ 275.00		
108	OPEN TWO REIN	YEAR END AWARD CLASS		\$ 185.00			

Price List (Effective Jan. 1, 2026)

STALLS (Wednesday through Saturday only)

1 night w/ 1 bag of shavings - \$65.00

2 nights w/2 bags of shavings - \$105.00

3 nights w/2 bags of shavings - \$150.00

4 nights w/2 bags of shavings - \$195.00

Tack Stall (4 nights) - \$120.00

RV's - \$50.00 per night

(Additional reservations can be made through the facility. Contact Terry Skevington)

Haul In \$25.00 per horse

Shavings - \$15.00 per bag

IF RESERVED/PAID AFTER ENTRIES CLOSE, A \$25 LATE FEE WILL BE ADDED TO ALL STALL AND RV RENTALS.

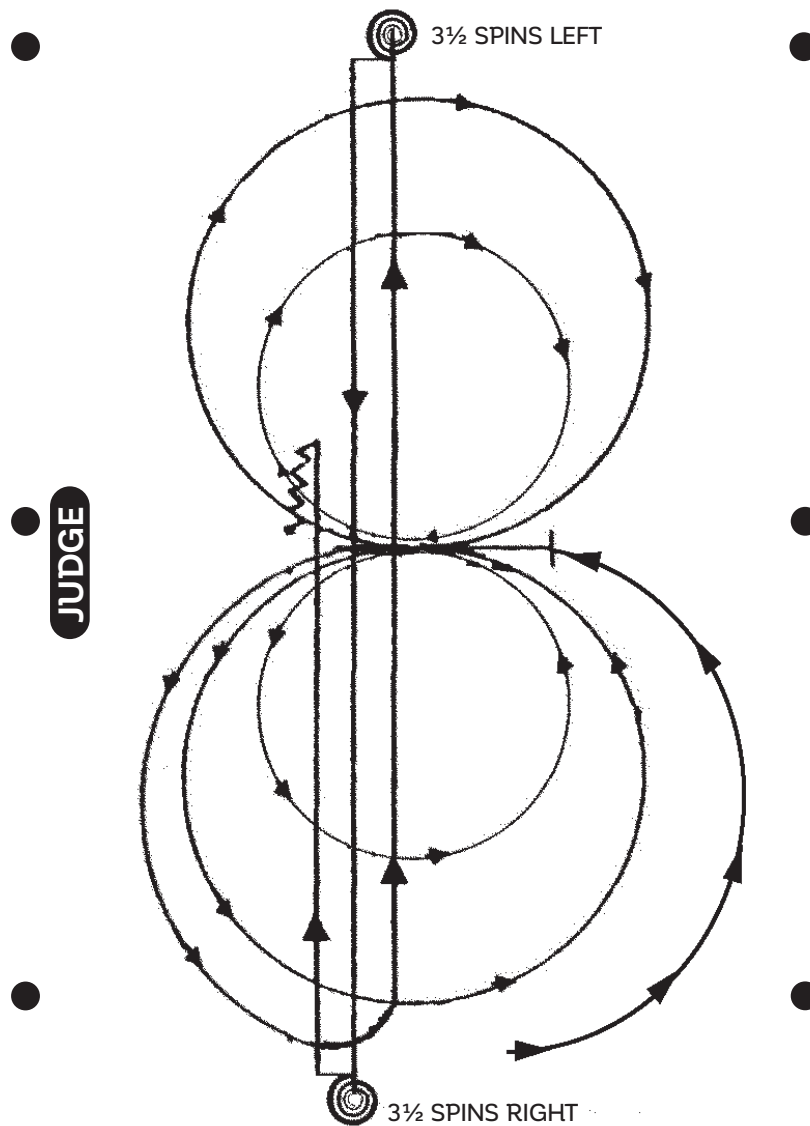
California Drug Fee per Horse \$14.00

Reserve Stalls, RV's and Shavings here:

<https://www.zeffy.com/en-US/ticketing/affiliate-2-stall-and-rv-reservations>



PATTERN 11-LOPE TOWARD



Begin on left lead. At the center, without stopping or breaking gait, begin pattern facing toward the judge. Refer to rule 20.6.

1. Beginning on the left lead complete two circles to the left, the first circle large and fast, and the second circle small and slow. Change leads at the center of the arena.
2. Complete two circles to the right, the first large and fast, the second small and slow. Change leads at the center of the arena.
3. Continue around end of arena without breaking gait or changing leads, run down center of the arena past the end marker, execute a square sliding stop.
4. Complete $3\frac{1}{2}$ spins to the left.
5. Run down center of arena past end marker, execute a square sliding stop.
6. Complete $3\frac{1}{2}$ spins to the right.
7. Run down center of arena past center marker, execute a square sliding stop. Back at least 10 feet. Hesitate to complete pattern.