

Ranch Horse Super Sunday May 24, 2026

Rolling Hills Equestrian Center
Corning, CA

Divisions

Open
Amatuer
10 & Under
11-17 Youth

Cash Payouts!

Classes

W/T & W/T/L
Ranch Reining
Ranch Rail
Ranch Riding
Ranch Trail
Crossover Welcome!

Special Event
Jackpot Trail Class
\$1750 Added

Use the QR code to enter



General Information
NCRCHA MAY 21-24, 20256

This show will be split into two separate shows. Friday and Saturday will be all the herd work and cow horse classes. Sunday will be all the ranch horse classes. Only online entries are accepted.

REQUIRED HEALTH DOCUMENTS – The California Department of Food and Agriculture requires a health certificate (Certificate of Veterinary Inspection) dated within 30 days and proof of a negative equine infectious anemia test (Coggins or ELISA) dated within 12 months for out of state horses entering California. See the CDFA website for details. Show management does not require health certificates or Coggins for any horses attending the event.

Enter here: <https://www.cognitofirms.com/KellyHamblin/NCRHCAAffiliate2May21242026>

Or use the QR Code



MOVE IN – No earlier than Wednesday May 20, 2026 at 1:00PM

MOVE OUT – No later than Monday May 25, 2026 at 12:00PM

SHOW OFFICE HOURS FOR THE **COW HORSE SHOW** (WEDNESDAY-SATURDAY)– The show office will be open 1pm – 5 pm on WEDNESDAY MAY 20, 2026. The show office will open at 7 am on show days and close after the last class ends. **SHOW SECRETARY FOR COW HORSE CLASSES ONLY** – Laura Norman 559-760-2769 Laura.saddleup@gmail.com

SHOW OFFICE FOR THE **RANCH HORSE SHOW** (SUNDAY) will be in the concourse of the large arena and will be open at 6:30am Sunday May 24, 2026 and will close 1 hour after the conclusion of the last class. **SHOW SECRETARY FOR SUPER RANCH SUNDAY CLASSES** – Kelly Hamblin 530-510-0198 ranchclasses@gmail.com

IN CATTLE CLASSES ONLY: Scratching after the cattle are ordered forfeits cattle fee in NCRCHA classes; scratch after draw forfeits add back, office fee of \$30.00 and cattle fees in NCRCHA classes; scratch out of a class to add to another class at show is a \$30 change fee & adds at bottom of draw in a new block in order received.

To enter and reserve cattle please put a credit or debit card on file or send a personal check. When checking out you can choose to pay with cash, credit or debit card (no convenience fee) or personal check.

Please do not send your stall, RV and shavings orders to the show secretaries. All reservations for those items will be handled directly through this link or by using the QR code below.

<https://www.zeffy.com/en-US/ticketing/affiliate-2-stall-and-rv-reservations>

RV, STALLS, AND HORSE SHOW ENTRY DEADLINE: Midnight on May 17, 2026. Late fees will apply after close of entries.

RV RENTALS AND SET UP @ RHEC: Tara's RV 530-360-2457

HOTELS: Rolling Hills Casino 530-528-3500

Holiday Inn Express, Corning 530-824-6400

Best Western Corning 530-824-5200

Super 8 by Wyndham, Corning 530-387-5925

SHOW MANAGER: Sophie Larsson 951-641-7120

CATTLE MANAGER: Matt Fatchen 530-518-0359

PHOTOGRAPHER – Laura Adcock 530-262-8170

Hay can be purchased by calling Rolling Hills Equestrian Center (Terry Skevington) 530-366-6386.

NO OUTSIDE SHAVINGS ALLOWED.

COW HORSE JUDGE (SATURDAY) – Paul Bonello

RANCH HORSE JUDGE (SUNDAY) – Amanda Winger

TRAIL CLASS JUDGE/WT RANCH RIDING (SUNDAY) – Mandi Thompson

PATTERNS:

All Cow Horse Classes: NRCHA Pattern #11 – Lope Towards

Reining: AQHA VRH Pattern #1

Ranch Riding: AQHA Pattern #1

Walk Trot Ranch Riding: Pattern #3

Walk Trot Reining: Pattern #2

Trail Horse - TBD



Jackpot Trail – will be handed out Sunday Morning at 7:30 Riders Meeting

Walk Trot Trail Horse: TBD

Use QR Code for Stall
& RV Reservation.



RIDERS MEETING AT 7:30 - LARGE INDOOR CONCOURSE

ARENA #1 LARGE OUTDOOR - THIS ARENA TAKES PRECEDENCE	ARENA #2 LARGE INDOOR - SECONDARY PRECEDENCE	ARENA #3 SMALL OUTDOOR	ARENA #4 SMALL INDOOR																																																																														
9:00 AM WALK THROUGH JUDGE - ANN DENNIS 10:00AM START TIME JACKPOT TRAIL DRAW ORDER	8:00 START TIME JUDGE - SANDY WESTERN	START TIME - TO BE DETERMINED JUDGE - MANDI THOMPSON	IMMEDIATELY FOLLOWING THE END OF TRAIL AT ARENA #3 JUDGE - MANDI THOMPSON																																																																														
<div style="background-color: yellow; padding: 2px; font-weight: bold;">Enter Here</div> 	<table style="width: 100%; border-collapse: collapse;"> <tr> <td style="width: 80%;">AMATUER W/T WORKING WESTERN RAIL</td> <td style="width: 20%; text-align: center;">Order</td> </tr> <tr> <td>AMATUER W/T/L WORKING WESTERN RAIL</td> <td style="text-align: center;">A</td> </tr> <tr> <td></td> <td style="text-align: center;">P</td> </tr> <tr> <td></td> <td style="text-align: center;">R</td> </tr> <tr> <td></td> <td style="text-align: center;">O</td> </tr> <tr> <td>10 & UNDER W/T WORKING WESTERN RAIL</td> <td style="text-align: center;">X</td> </tr> <tr> <td>10 & UNDER W/T/L WORKING WESTERN RAIL</td> <td style="text-align: center;">2</td> </tr> <tr> <td></td> <td style="text-align: center;">H</td> </tr> <tr> <td></td> <td style="text-align: center;">O</td> </tr> <tr> <td></td> <td style="text-align: center;">U</td> </tr> <tr> <td></td> <td style="text-align: center;">R</td> </tr> <tr> <td></td> <td style="text-align: center;">S</td> </tr> <tr> <td>11-17 W/T WORKING WESTERN RAIL</td> <td style="text-align: center;">DRAW</td> </tr> <tr> <td>11-17 W/T/L WORKING WESTERN RAIL</td> <td style="text-align: center;">DRAW</td> </tr> <tr> <td>OPEN W/T WORKING WESTERN RAIL</td> <td style="text-align: center;">DRAW</td> </tr> <tr> <td>OPEN W/T/L WORKING WESTERN RAIL</td> <td style="text-align: center;">DRAW</td> </tr> <tr> <td>10 & UNDER W/T REINING</td> <td style="text-align: center;">DRAW</td> </tr> <tr> <td>10 & UNDER W/T/L REINING</td> <td style="text-align: center;">DRAW</td> </tr> <tr> <td>11-17 W/T REINING</td> <td style="text-align: center;">DRAW</td> </tr> <tr> <td>11-17 W/T/L REINING</td> <td style="text-align: center;">DRAW</td> </tr> <tr> <td>OPEN W/T REINING</td> <td style="text-align: center;">DRAW</td> </tr> <tr> <td>OPEN W/T/L REINING</td> <td style="text-align: center;">DRAW</td> </tr> <tr> <td>AMATUER W/T REINING</td> <td style="text-align: center;">DRAW</td> </tr> <tr> <td>AMATUER W/T/L REINING</td> <td style="text-align: center;">DRAW</td> </tr> <tr> <td>OPEN W/T/L RANCH RIDING</td> <td style="text-align: center;">DRAW</td> </tr> <tr> <td>AMATUER W/T/L RANCH RIDING</td> <td style="text-align: center;">DRAW</td> </tr> <tr> <td>10 & UNDER W/T/L RANCH RIDING</td> <td style="text-align: center;">DRAW</td> </tr> <tr> <td>11-17 W/T/L RANCH RIDING</td> <td style="text-align: center;">DRAW</td> </tr> </table>	AMATUER W/T WORKING WESTERN RAIL	Order	AMATUER W/T/L WORKING WESTERN RAIL	A		P		R		O	10 & UNDER W/T WORKING WESTERN RAIL	X	10 & UNDER W/T/L WORKING WESTERN RAIL	2		H		O		U		R		S	11-17 W/T WORKING WESTERN RAIL	DRAW	11-17 W/T/L WORKING WESTERN RAIL	DRAW	OPEN W/T WORKING WESTERN RAIL	DRAW	OPEN W/T/L WORKING WESTERN RAIL	DRAW	10 & UNDER W/T REINING	DRAW	10 & UNDER W/T/L REINING	DRAW	11-17 W/T REINING	DRAW	11-17 W/T/L REINING	DRAW	OPEN W/T REINING	DRAW	OPEN W/T/L REINING	DRAW	AMATUER W/T REINING	DRAW	AMATUER W/T/L REINING	DRAW	OPEN W/T/L RANCH RIDING	DRAW	AMATUER W/T/L RANCH RIDING	DRAW	10 & UNDER W/T/L RANCH RIDING	DRAW	11-17 W/T/L RANCH RIDING	DRAW	<table style="width: 100%; border-collapse: collapse;"> <tr> <td style="width: 80%;">11-17 W/T RANCH TRAIL</td> <td style="width: 20%; text-align: center;">Order</td> </tr> <tr> <td>11-17 W/T/L RANCH TRAIL</td> <td style="text-align: center;">T</td> </tr> <tr> <td></td> <td style="text-align: center;">B</td> </tr> <tr> <td></td> <td style="text-align: center;">D</td> </tr> <tr> <td>OPEN W/T RANCH TRAIL</td> <td style="text-align: center;">DRAW</td> </tr> <tr> <td>OPEN W/T/L RANCH TRAIL</td> <td style="text-align: center;">DRAW</td> </tr> <tr> <td>10 & UNDER W/T RANCH TRAIL</td> <td style="text-align: center;">DRAW</td> </tr> <tr> <td>10 & UNDER W/T/L RANCH TRAIL</td> <td style="text-align: center;">DRAW</td> </tr> <tr> <td>AMATUER W/T RANCH TRAIL</td> <td style="text-align: center;">DRAW</td> </tr> <tr> <td>AMATUER W/T/L RANCH TRAIL</td> <td style="text-align: center;">DRAW</td> </tr> <tr> <td>MOVE TO ARENA #4</td> <td></td> </tr> </table> <p style="font-size: small;">Please attend the riders meeting on Sunday morning at 7:30In the Concourse of the Large Indoor Arena. At that time, we will let you know if Arena #3 is going to run in draw order or at-will. We are antcipating a large number of entries for this show and want the classes to move along as effeciently as possible. Please be patient and kind to our staff. They are here to help you and we strive to make our shows as enjoyable and fun as possible. Jackpot Trail patterns will be handed out at the Riders Meeting.</p>	11-17 W/T RANCH TRAIL	Order	11-17 W/T/L RANCH TRAIL	T		B		D	OPEN W/T RANCH TRAIL	DRAW	OPEN W/T/L RANCH TRAIL	DRAW	10 & UNDER W/T RANCH TRAIL	DRAW	10 & UNDER W/T/L RANCH TRAIL	DRAW	AMATUER W/T RANCH TRAIL	DRAW	AMATUER W/T/L RANCH TRAIL	DRAW	MOVE TO ARENA #4		<div style="border: 2px solid black; padding: 10px; text-align: center; background-color: #fff9c4;"> <p>Entry Fees:</p> <p>10 & Under Classes: \$40.00</p> <p>11-17 Classes: \$40.00</p> <p>Amatuer Classes: \$50.00</p> <p>Open Classes: \$50.00</p> <p>All Classes have a \$15.00 add back.</p> </div>
AMATUER W/T WORKING WESTERN RAIL	Order																																																																																
AMATUER W/T/L WORKING WESTERN RAIL	A																																																																																
	P																																																																																
	R																																																																																
	O																																																																																
10 & UNDER W/T WORKING WESTERN RAIL	X																																																																																
10 & UNDER W/T/L WORKING WESTERN RAIL	2																																																																																
	H																																																																																
	O																																																																																
	U																																																																																
	R																																																																																
	S																																																																																
11-17 W/T WORKING WESTERN RAIL	DRAW																																																																																
11-17 W/T/L WORKING WESTERN RAIL	DRAW																																																																																
OPEN W/T WORKING WESTERN RAIL	DRAW																																																																																
OPEN W/T/L WORKING WESTERN RAIL	DRAW																																																																																
10 & UNDER W/T REINING	DRAW																																																																																
10 & UNDER W/T/L REINING	DRAW																																																																																
11-17 W/T REINING	DRAW																																																																																
11-17 W/T/L REINING	DRAW																																																																																
OPEN W/T REINING	DRAW																																																																																
OPEN W/T/L REINING	DRAW																																																																																
AMATUER W/T REINING	DRAW																																																																																
AMATUER W/T/L REINING	DRAW																																																																																
OPEN W/T/L RANCH RIDING	DRAW																																																																																
AMATUER W/T/L RANCH RIDING	DRAW																																																																																
10 & UNDER W/T/L RANCH RIDING	DRAW																																																																																
11-17 W/T/L RANCH RIDING	DRAW																																																																																
11-17 W/T RANCH TRAIL	Order																																																																																
11-17 W/T/L RANCH TRAIL	T																																																																																
	B																																																																																
	D																																																																																
OPEN W/T RANCH TRAIL	DRAW																																																																																
OPEN W/T/L RANCH TRAIL	DRAW																																																																																
10 & UNDER W/T RANCH TRAIL	DRAW																																																																																
10 & UNDER W/T/L RANCH TRAIL	DRAW																																																																																
AMATUER W/T RANCH TRAIL	DRAW																																																																																
AMATUER W/T/L RANCH TRAIL	DRAW																																																																																
MOVE TO ARENA #4																																																																																	
<div style="background-color: yellow; padding: 2px; font-weight: bold;">Stalls and RV Reservations here</div> 																																																																																	

Price List (Effective Jan. 1, 2026)

STALLS (Wednesday through Saturday only)

1 night w/ 1 bag of shavings - \$65.00

2 nights w/2 bags of shavings - \$105.00

3 nights w/2 bags of shavings - \$150.00

4 nights w/2 bags of shavings - \$195.00

Tack Stall (4 nights) - \$120.00

RV's - \$50.00 per night

(Additional reservations can be made through the facility. Contact Terry Skevington)

Haul In \$25.00 per horse

Shavings - \$15.00 per bag

IF RESERVED/PAID AFTER ENTRIES CLOSE, A \$25 LATE FEE WILL BE ADDED TO ALL STALL AND RV RENTALS.

California Drug Fee per Horse \$14.00

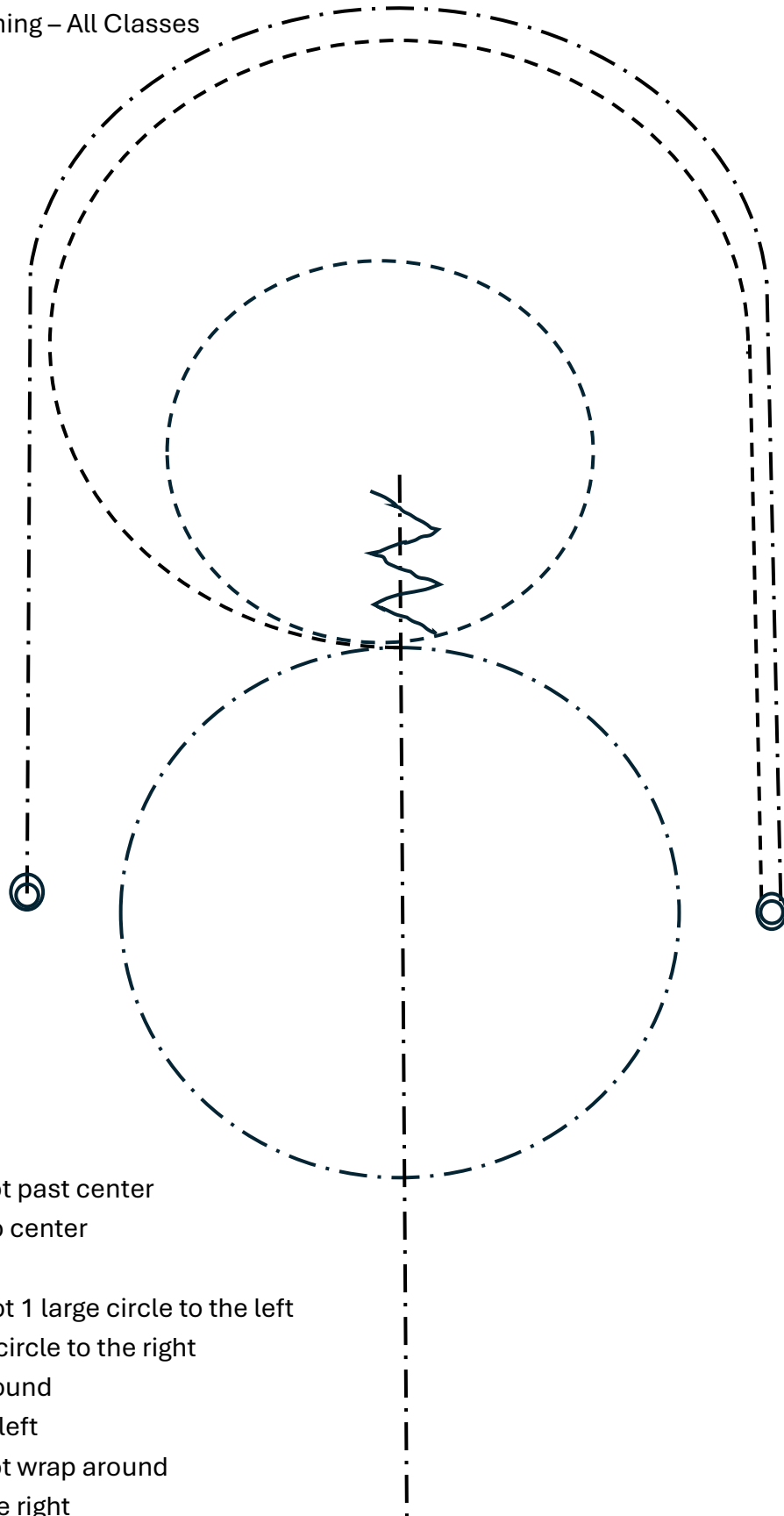
Reserve Stalls, RV's and Shavings here:

<https://www.zeffy.com/en-US/ticketing/affiliate-2-stall-and-rv-reservations>



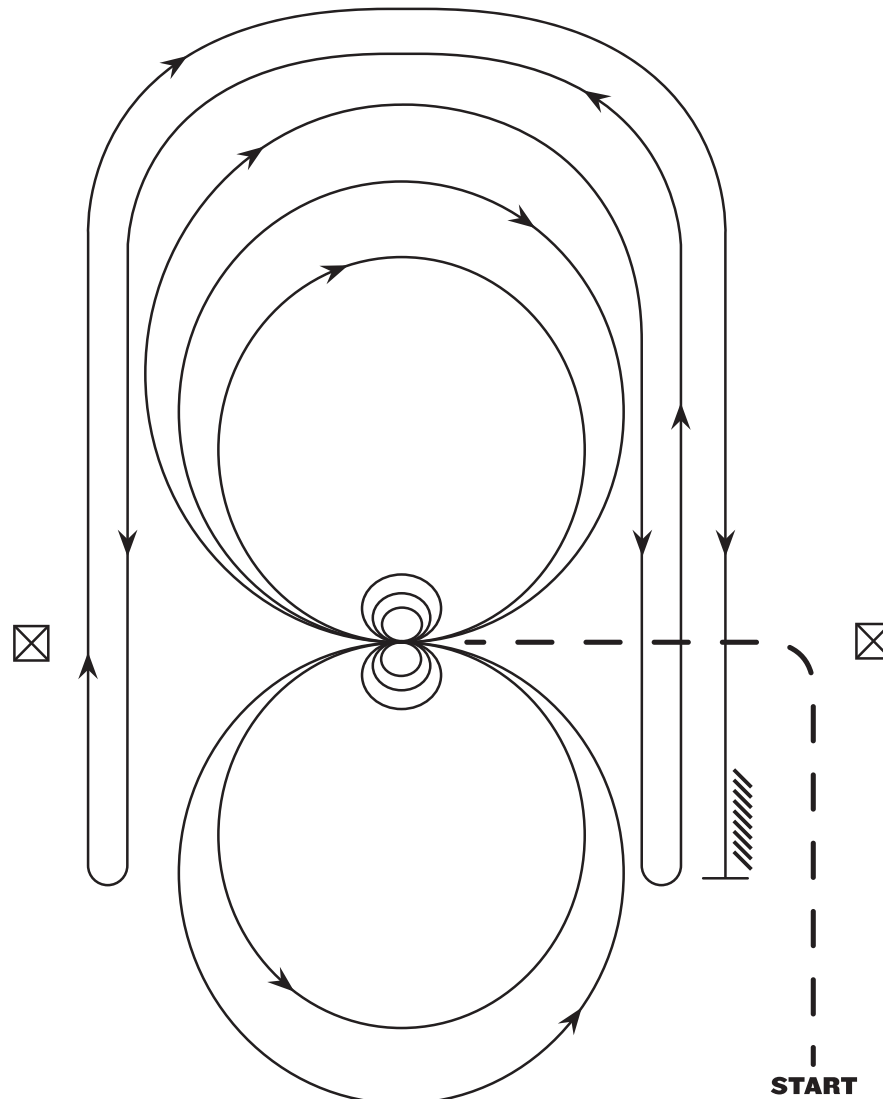
Walk Trot Reining – All Classes

Pattern #2



1. Extended trot past center
2. Back up 8' to center
3. ¼ turn to left
4. Extended Trot 1 large circle to the left
5. Trot 1 small circle to the right
6. Trot wrap around
7. 2 ½ spins to left
8. Extended trot wrap around
9. 2 spins to the right
10. Hesitate to show completion of pattern.

VRH AND RHC RANCH REINING PATTERN I



Mandatory Markers along Fence or Wall: The judge shall indicate with markers on arena fence or wall the center of the pattern.

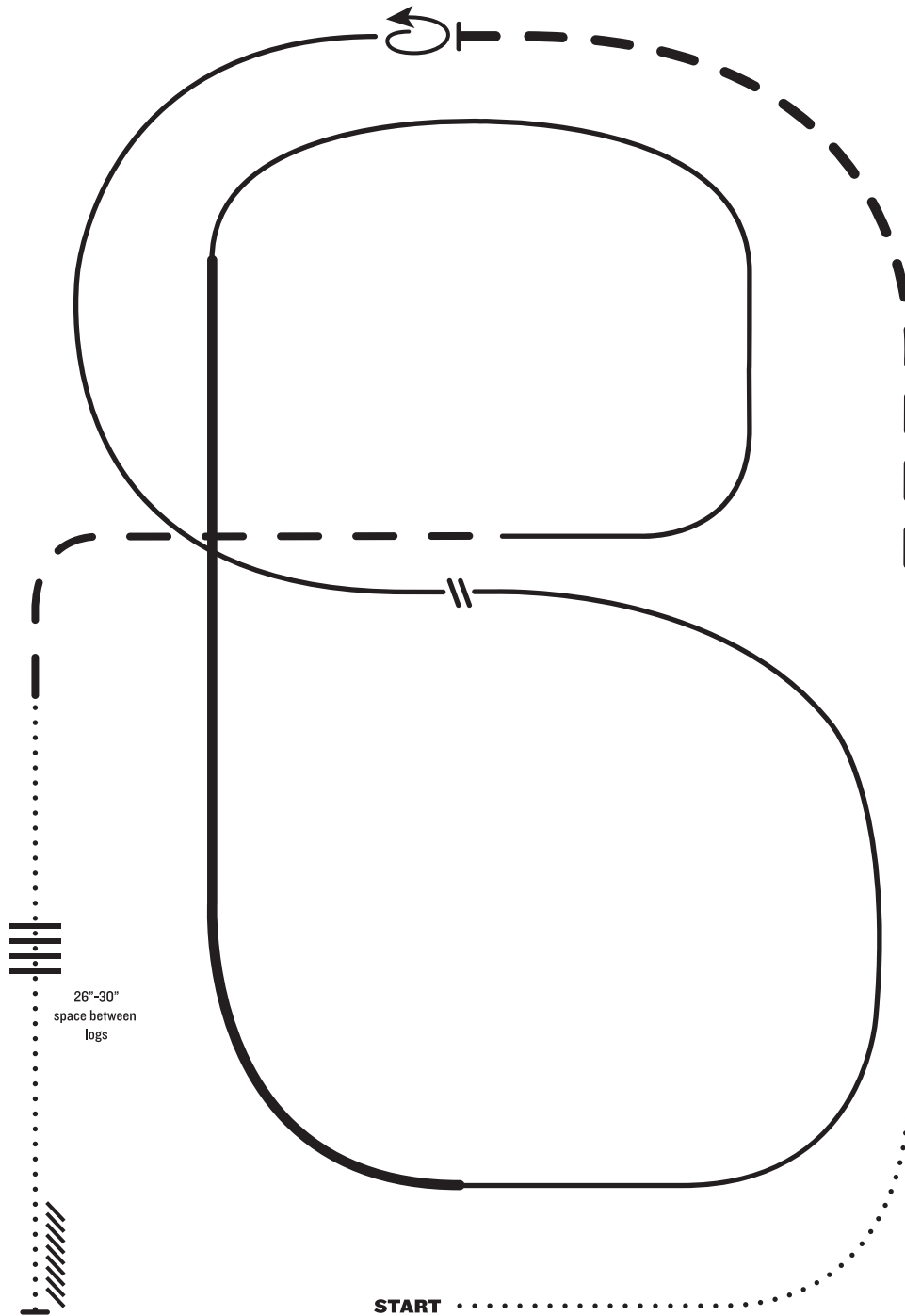
Ride pattern as follows: Trot to center of arena and stop.

1. Complete 3 spins in one direction. Hesitate.
2. Complete 3 spins in the opposite direction. Hesitate.
3. Beginning on right lead, complete two large fast circles to the right. Change leads at center of arena.
4. Complete two large fast circles to the left. Change leads at center of arena.
5. Begin a large circle to the right but do not close this circle. Run down the right side of the arena past the center marker and do a left roll back at least 20 feet from the wall or fence, no hesitation.
6. Continue back around the previous circle but do not close this circle. Run down the left side of the arena past the center marker and do a right roll back at least 20 feet from the wall or fence, no hesitation.
7. Continue back around previous circle, but do not close this circle. Run down the right side of the arena past the center marker and do a sliding stop at least 20 feet from the wall or fence. Back up at least 10 feet. Hesitate to show completion of pattern.

RANCH RIDING - PATTERN I

LEGEND

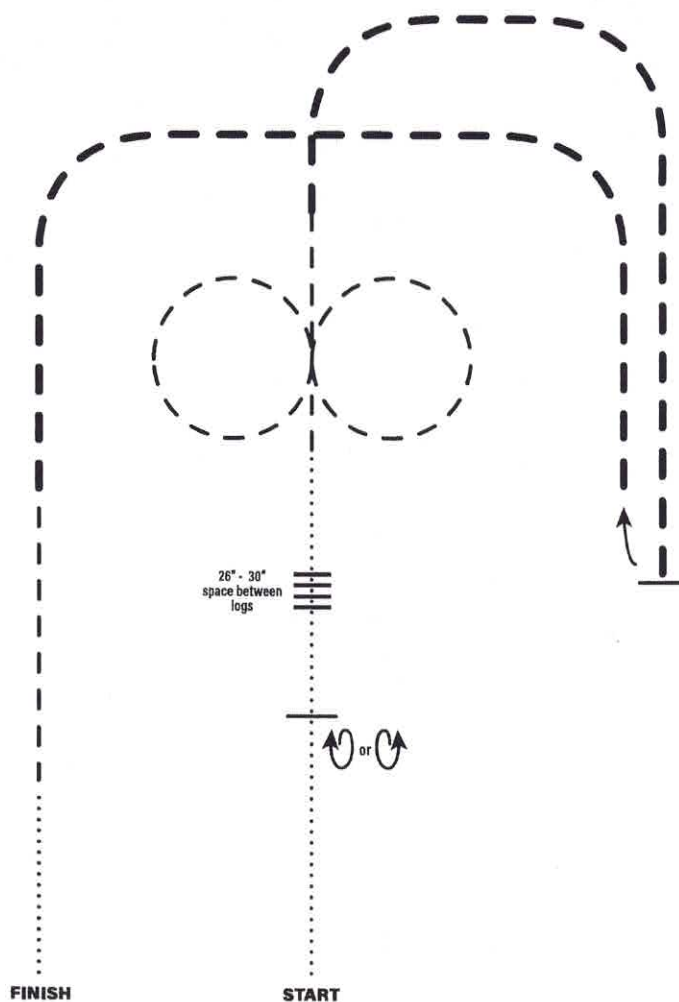
.....	Walk
.....	Extended Walk
- - -	Trot
- - -	Extended Trot
— — —	Lope
— — —	Extended Lope
//////	Back
//	Lead Change



1. Walk
2. Trot
3. Extend the trot, at the top of the arena, stop
4. 360° turn left
5. Left lead 1/2 circle, lope to the center
6. Change leads (simple or flying)
7. Right lead 1/2 circle
8. Extended lope up the long side of the arena (right lead)
9. Collect back to a lope around the top of the arena and back to center
10. Break down to an extended trot
11. Walk over logs
12. Stop and back

Note: The drawn description of this pattern is only intended for the general depiction of the pattern. Exhibitors should utilize the arena space to best exhibit their horses.

Walk Trot Ranch Riding - All Classes
 Pattern #3



LEGEND	
.....	Walk
.....	Extended Walk
- - -	Trot
- - -	Extended Trot
— — —	Lope
— — —	Extended Lope
////	Back
∩	Lead Change

1. Walk
2. Stop, 360° turn either direction
3. Walk over logs
4. Trot a figure 8, either direction first
5. Extended trot, stop
6. 180° (1/2) turn right
7. Extended trot
8. Collect to a trot
9. Walk

Note: The drawn description of this pattern is only intended for the general depiction of the pattern. Exhibitors should utilize the arena space to best exhibit their horses.